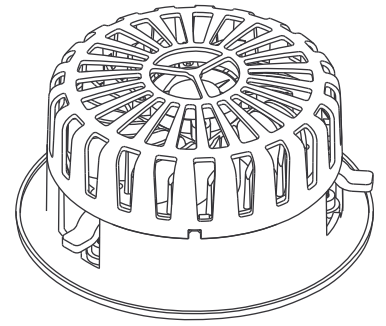
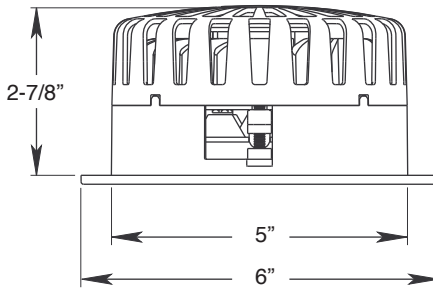
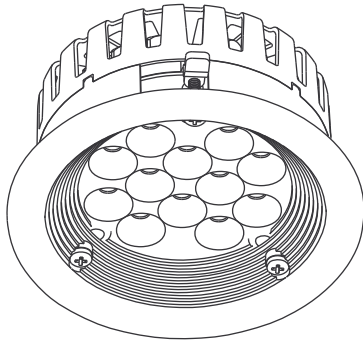


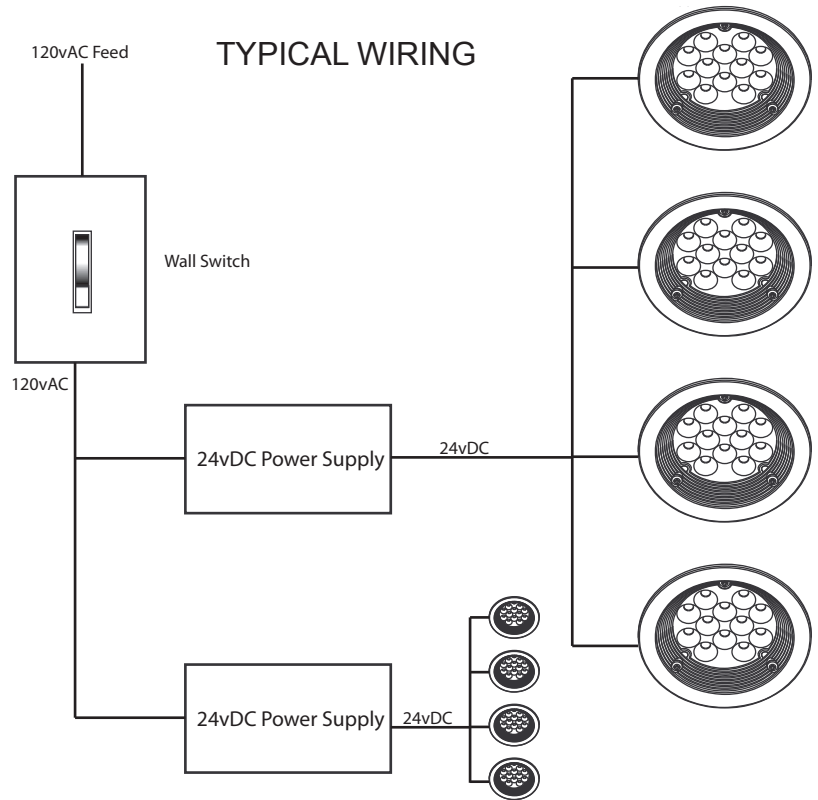
SpectraLights SL4000 Installation Instructions



Specifications:

- > Lumens - 1000
- > Kelvins - 3400 - 3600
- > 15 Watts, 24vDC
- > Life - 50,000 to 80,000 hrs
- > Light dispersion - 60°
- > Weight - 16oz
- > Attachment - 3 swivel locks
- > Installation hole size - 5"

TYPICAL WIRING



Maximum of 4 lights per 90 watt power supply.

Do not allow voltage to drop below 22.5 volts.

Voltage drops for 16 Gauge wire

1	light @ 50 feet =	23.99	volts
2	lights @ 50 feet =	23.75	volts
3	lights @ 50 feet =	23.5	volts
4	lights @ 50 feet =	23.25	volts
1	light @ 100 feet =	23.78	volts
2	lights @ 100 feet =	23.28	volts
3	lights @ 100 feet =	22.82	volts
4	lights @ 100 feet =	22.52	volts
1	light @ 150 feet =	23.5	volts
2	lights @ 150 feet =	22.97	volts
1	light @ 200 feet =	23.25	volts
2	lights @ 200 feet =	22.53	volts

Voltage drops for 18 Gauge wire

1	light @ 50 feet =	23.77	volts
2	lights @ 50 feet =	23.37	volts
3	lights @ 50 feet =	23.18	volts
4	lights @ 50 feet =	22.92	volts
1	light @ 100 feet =	23.56	volts
2	lights @ 100 feet =	22.9	volts
3	lights @ 100 feet =	22.5	volts
1	light @ 150 feet =	23.28	volts
2	lights @ 150 feet =	22.59	volts
1	light @ 200 feet =	23.03	volts