

FREESTYLIST RA350

The remotely adjustable (RA) Freestyle model has full height and tension adjustment capabilities. You are able to have full control of the dryer's resting height, as well as how light or heavy you would like the dryer to feel in your hand. These adjustments can be made by using a handheld wireless remote control.

HANDHELD WIRELESS REMOTE CONTROL

The sleek design of the remote can be displayed in its holding case on the wall. When the remote control option is chosen, the Freestyle needs to be ordered with an Infrared receiver which senses the signals sent by the remote control and relays them to the Freestyle.

Note The RA 350 has "auto on feature" when the dryer is pulled down.

Physical

Case: Steel
Size: 7.875"H X 8.375"W X 16.375"L
(20 X 21.27 X 41.59 cm)
Weight: 25LBS
Operating Temperature: 41°F to 140°F (5° to 60°C)

Performance

Max. Installation Height: 12' 6" (381 cm) base of unit
Min. Installation Height: 7' 2" (218 cm) base of unit
Max. Dryer Travel: 82" (208 cm)
Highest Dryer Rest Height: 7' 2" (218 cm)
Lowest Dryer Rest Height: 4' 4" (132 cm)
Brake Load Limit: 30 oz
Maximum Dryer Weight: 40 oz
Minimum Dryer Weight: 14 oz
Dryer - Horizontal Motion: 0 oz (adjusted to weightless)

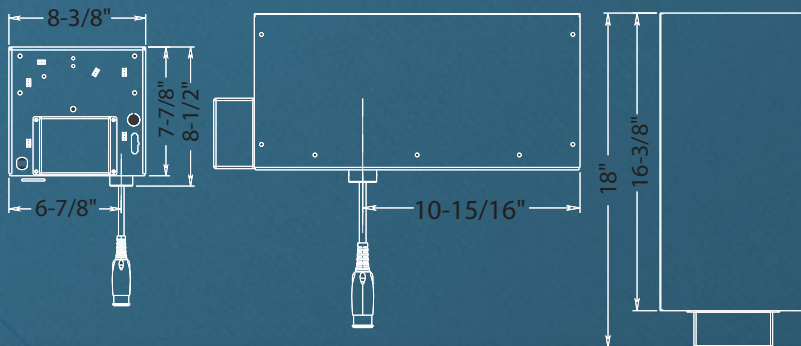
Power

Input: 110-125vAC, 60hz
Circuit protection: 15 amps
Usage: .285 amps (setting adjustments)
Dryer Load - Nominal: 13 amp

Certifications

UL Standard 355: Yes
UL Standard 498: Yes
CAN/CSA Standard C22.2 NO.21: Yes
ETL Listed: Yes

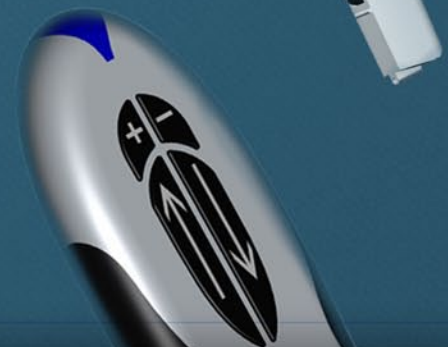
Listings can be viewed at: [http://etlwhidirectory.etlsemko.com/WebClients/ITS/DLP/products.nsf/\\$\\$Search?OpenForm&Seq=1](http://etlwhidirectory.etlsemko.com/WebClients/ITS/DLP/products.nsf/$$Search?OpenForm&Seq=1)
Search: Freestyle Systems Specifications subject to change without notice.



HEIGHT
ADJUST



INFRARED REMOTE



FREESTYLE SYSTEMS®
SUPPORT SYSTEM